



# SMT Circulator 3470 ~ 3530 MHz

## ADS350LE(60)

### Features

- 23dB typical Isolation, 0.25dB typical Insertion Loss at room temperature.
- Designed for Wireless Telecommunications Systems.
- RoHS Compliant, Standard Reflow Processing.

### Options

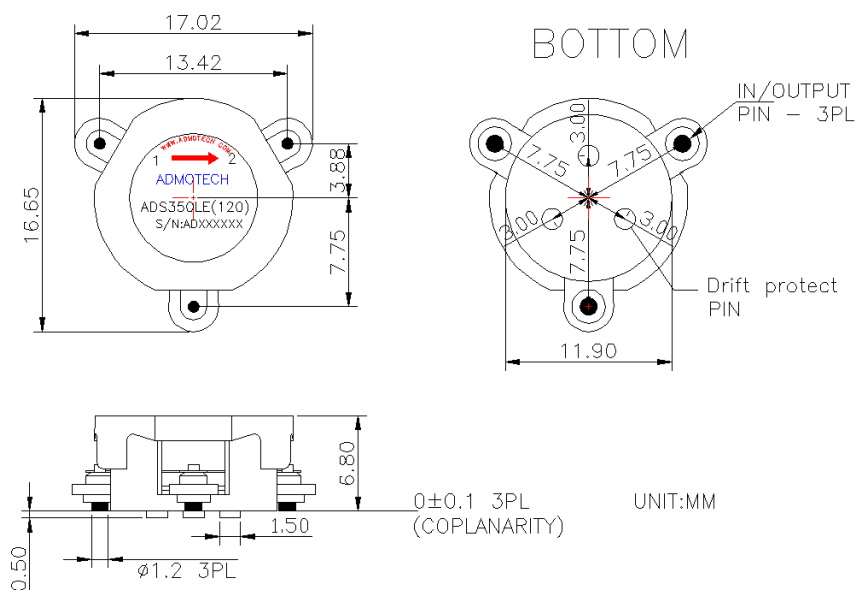
The customers can choose as follows

- Direction : Clockwise(Default) or Counter Clockwise.

### Electrical Characteristics

| Parameter              | Units   | Specifications |
|------------------------|---------|----------------|
| Frequency              | MHz     | 3470 ~ 3530    |
| Insertion Loss         | dB Max. | 0.40           |
| Isolation              | dB Min. | 19             |
| VSWR                   | Max.    | 1.29 : 1       |
| Temperature            | °C      | - 30 ~ +85     |
| REV Power              | W Max.  | 100            |
| Input/Output Impedance | Ω       | 50             |

### Mechanical Dimensions



If you do not find appropriate frequency range, Please contact with [sales@admotech.com](mailto:sales@admotech.com)